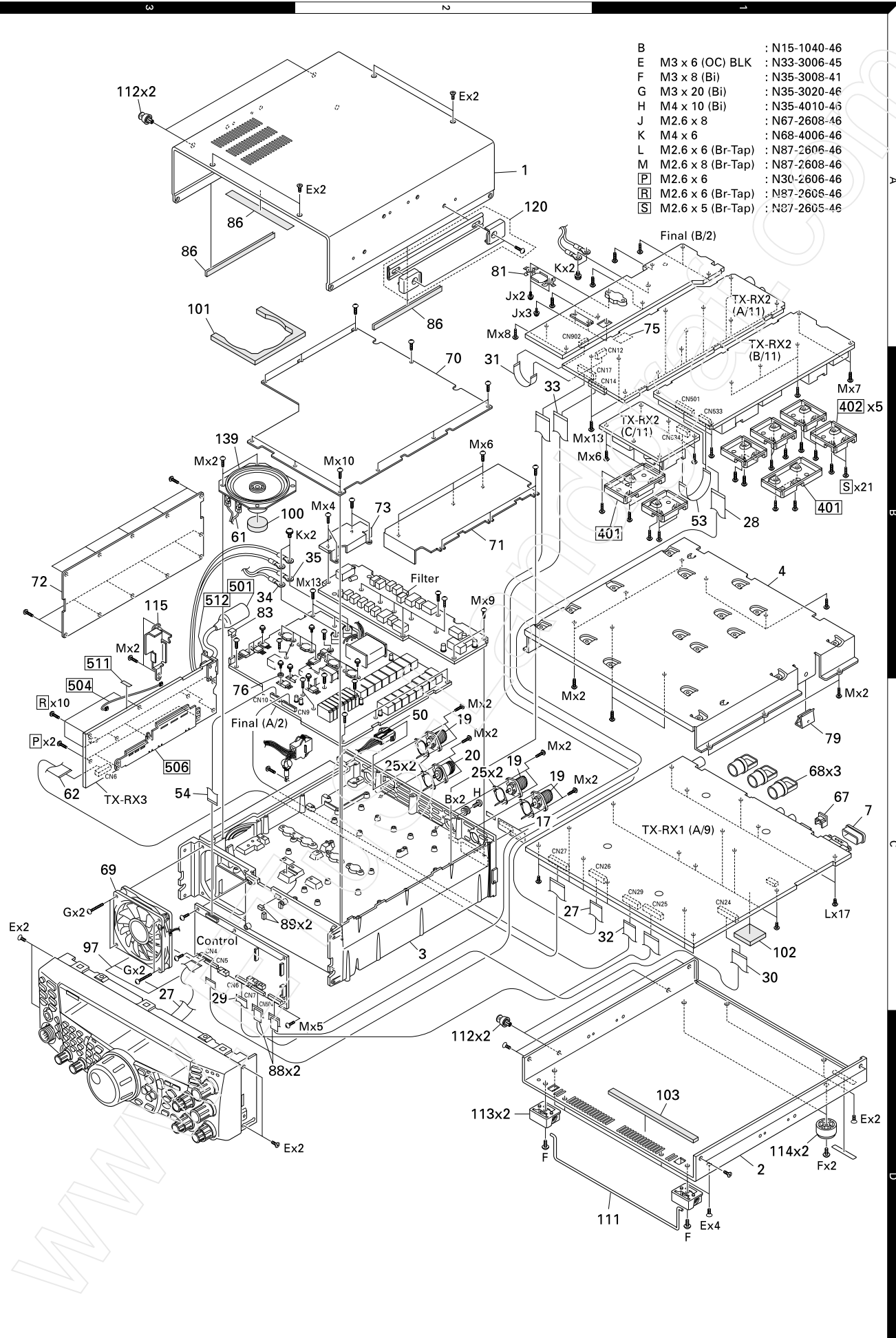


TS-2000/X TS-2000/X

EXPLODED VIEW (MAIN BODY)

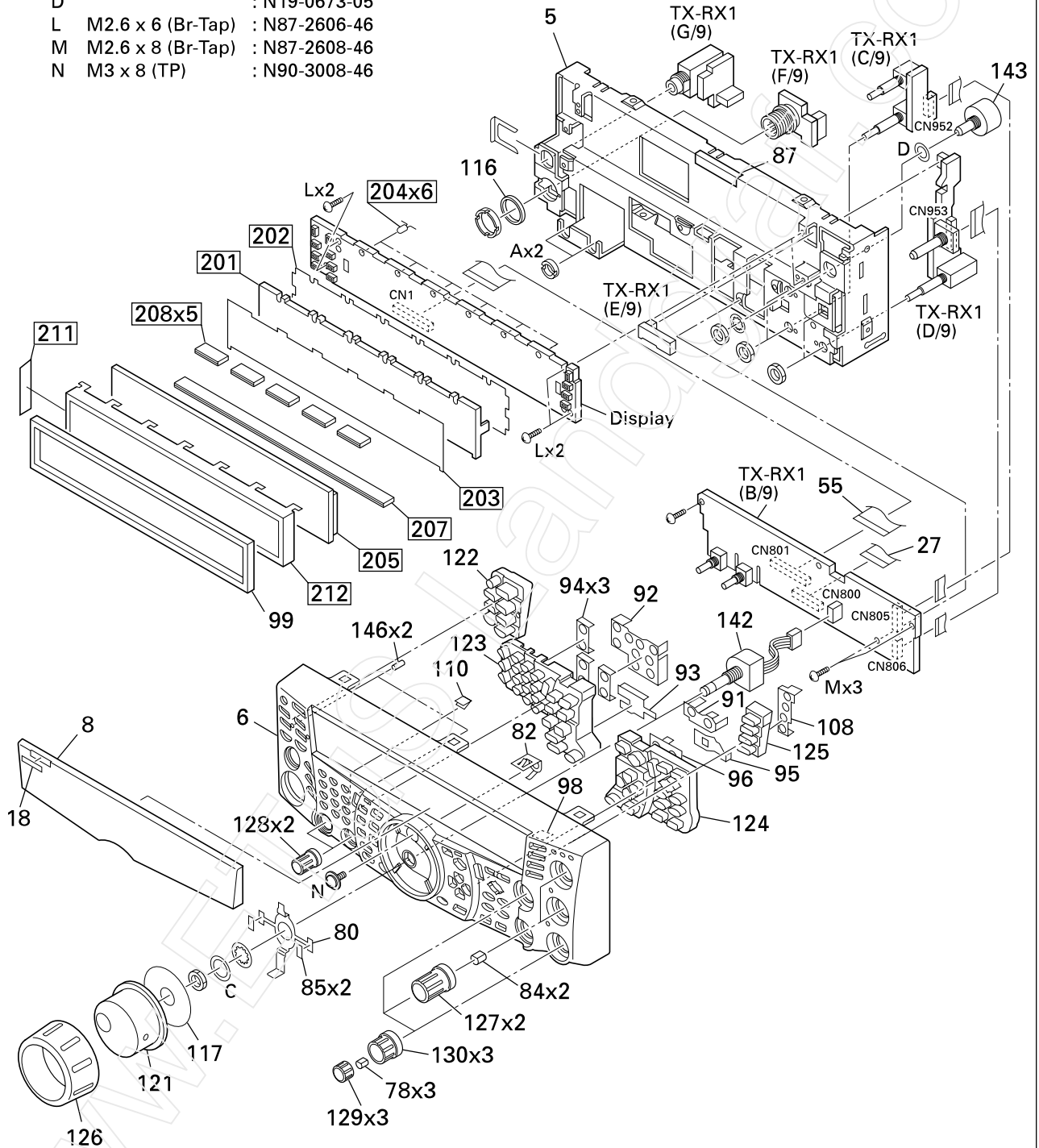
- B : N15-1040-46
- E M3 x 6 (OC) BLK : N33-3006-45
- F M3 x 8 (Bi) : N35-3008-41
- G M3 x 20 (Bi) : N35-3020-46
- H M4 x 10 (Bi) : N35-4010-45
- J M2.6 x 8 : N67-2608-46
- K M4 x 6 : N68-4006-46
- L M2.6 x 6 (Br-Tap) : N87-2606-46
- M M2.6 x 8 (Br-Tap) : N87-2608-46
- P M2.6 x 6 : N30-2606-46
- R M2.6 x 6 (Br-Tap) : N87-2606-46
- S M2.6 x 5 (Br-Tap) : N87-2605-46



Parts with the exploded numbers larger than 700 are not supplied.

EXPLODED VIEW (FRONT PANEL)

- | | | |
|---|-------------------|---------------|
| A | : | N14-0569-04 |
| C | : | N19-0670-05 |
| D | : | N19-0673-05 |
| L | M2.6 x 6 (Br-Tap) | : N87-2606-46 |
| M | M2.6 x 8 (Br-Tap) | : N87-2608-46 |
| N | M3 x 8 (TP) | : N90-3008-46 |



Parts with the exploded numbers larger than 700 are not supplied.