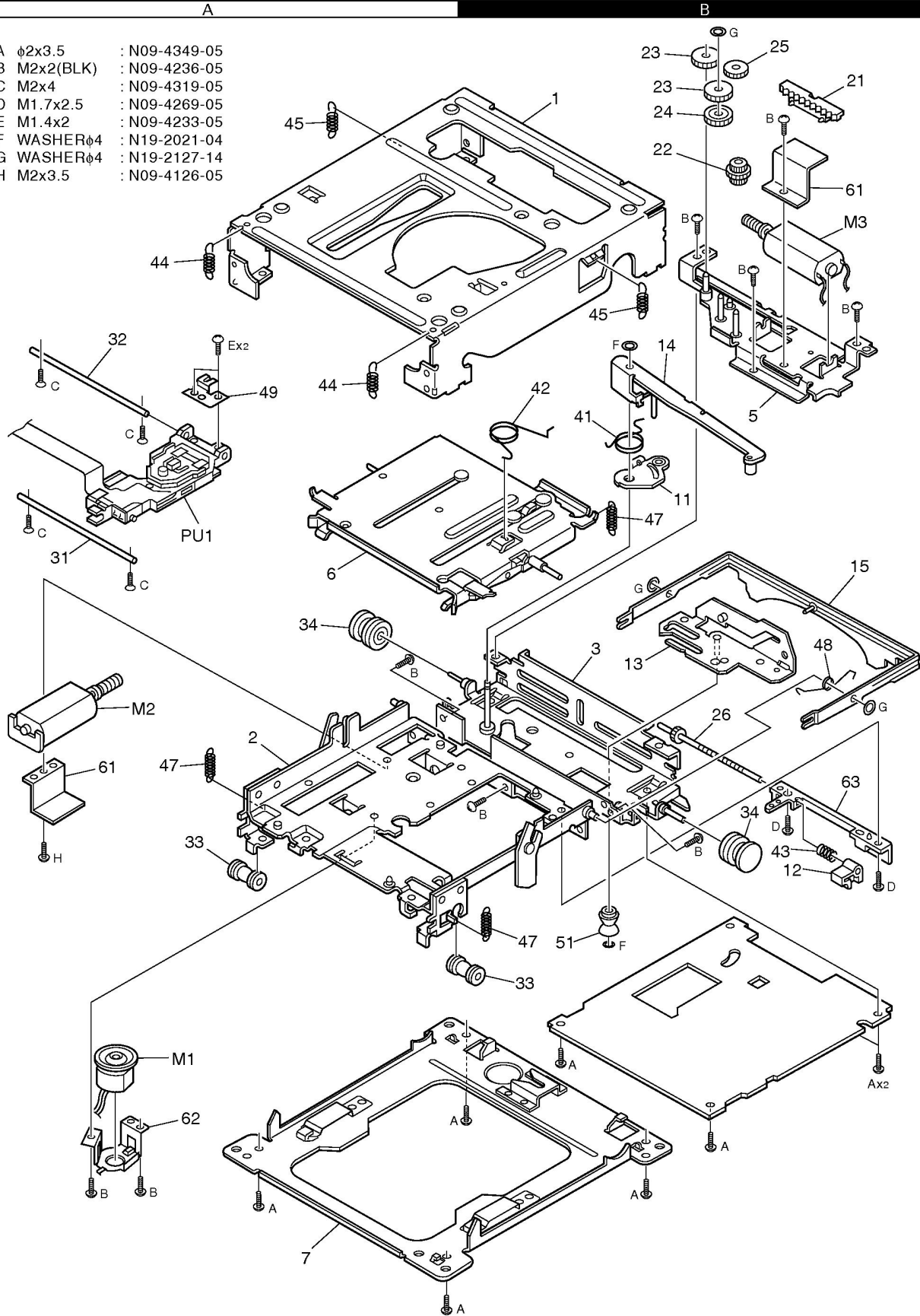


EXPLODED VIEW (MECHANISM)

- | | | |
|---|-----------|---------------|
| A | φ2x3.5 | : N09-4349-05 |
| B | M2x2(BLK) | : N09-4236-05 |
| C | M2x4 | : N09-4319-05 |
| D | M1.7x2.5 | : N09-4269-05 |
| E | M1.4x2 | : N09-4233-05 |
| F | WASHERφ4 | : N19-2021-04 |
| G | WASHERφ4 | : N19-2127-14 |
| H | M2x3.5 | : N09-4126-05 |



Parts with the exploded numbers larger than 700 are not supplied.