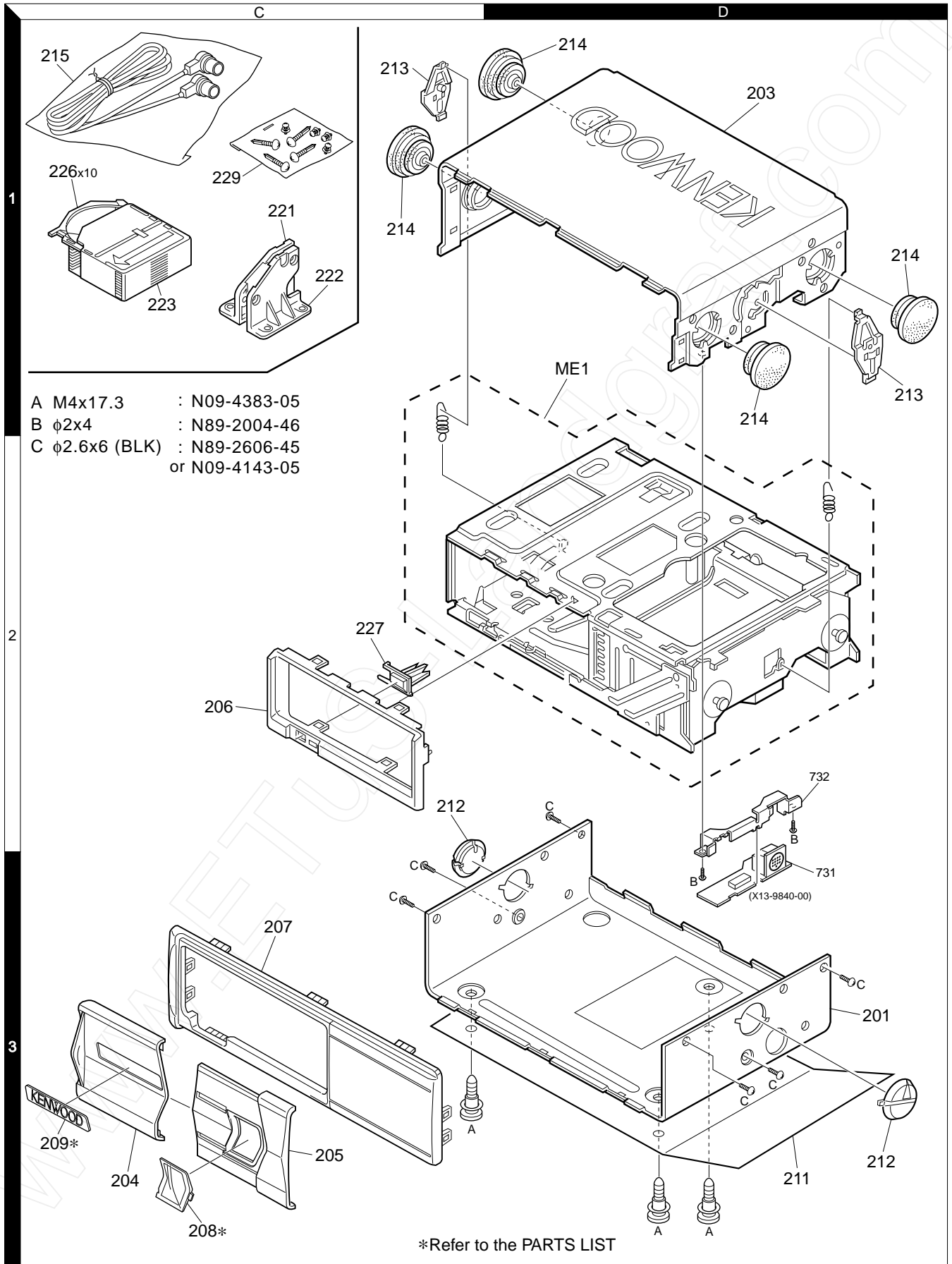


KDC-CX89/CMP59FM/C719MP/CPS89MP

EXPLODED VIEW (UNIT)



- A M4x17.3 : N09-4383-05
- B $\phi 2 \times 4$: N89-2004-46
- C $\phi 2.6 \times 6$ (BLK) : N89-2606-45
or N09-4143-05

*Refer to the PARTS LIST

Parts with the exploded numbers larger than 700 are not supplied.