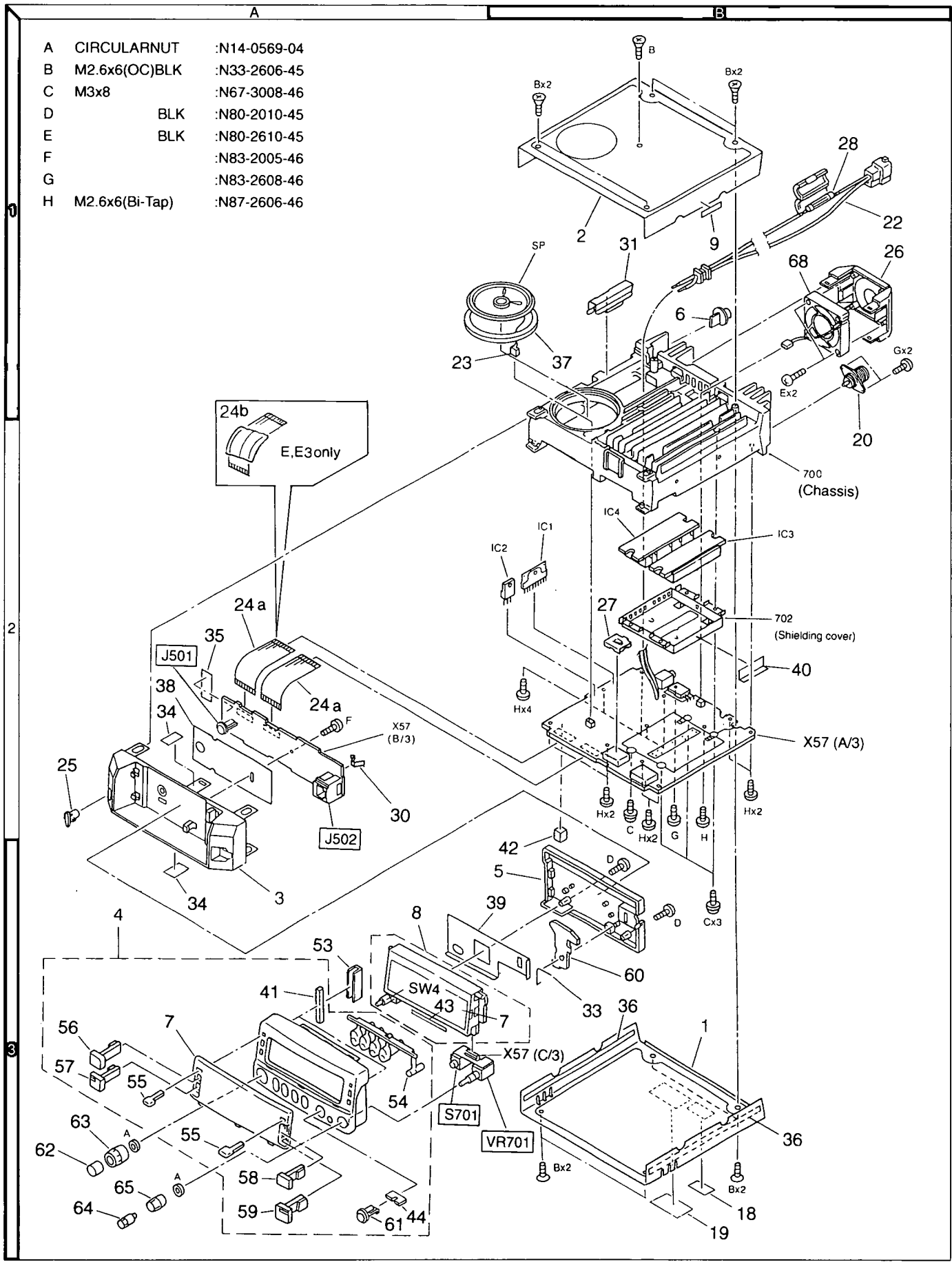


EXPLODED VIEW

- | | | |
|---|----------------|--------------|
| A | CIRCULAR NUT | :N14-0569-04 |
| B | M2.6x6(OC)BLK | :N33-2606-45 |
| C | M3x8 | :N67-3008-46 |
| D | BLK | :N80-2010-45 |
| E | BLK | :N80-2610-45 |
| F | | :N83-2005-46 |
| G | | :N83-2608-46 |
| H | M2.6x6(Bi-Tap) | :N87-2606-46 |



Parts with the exploded numbers larger than 700 are not supplied.