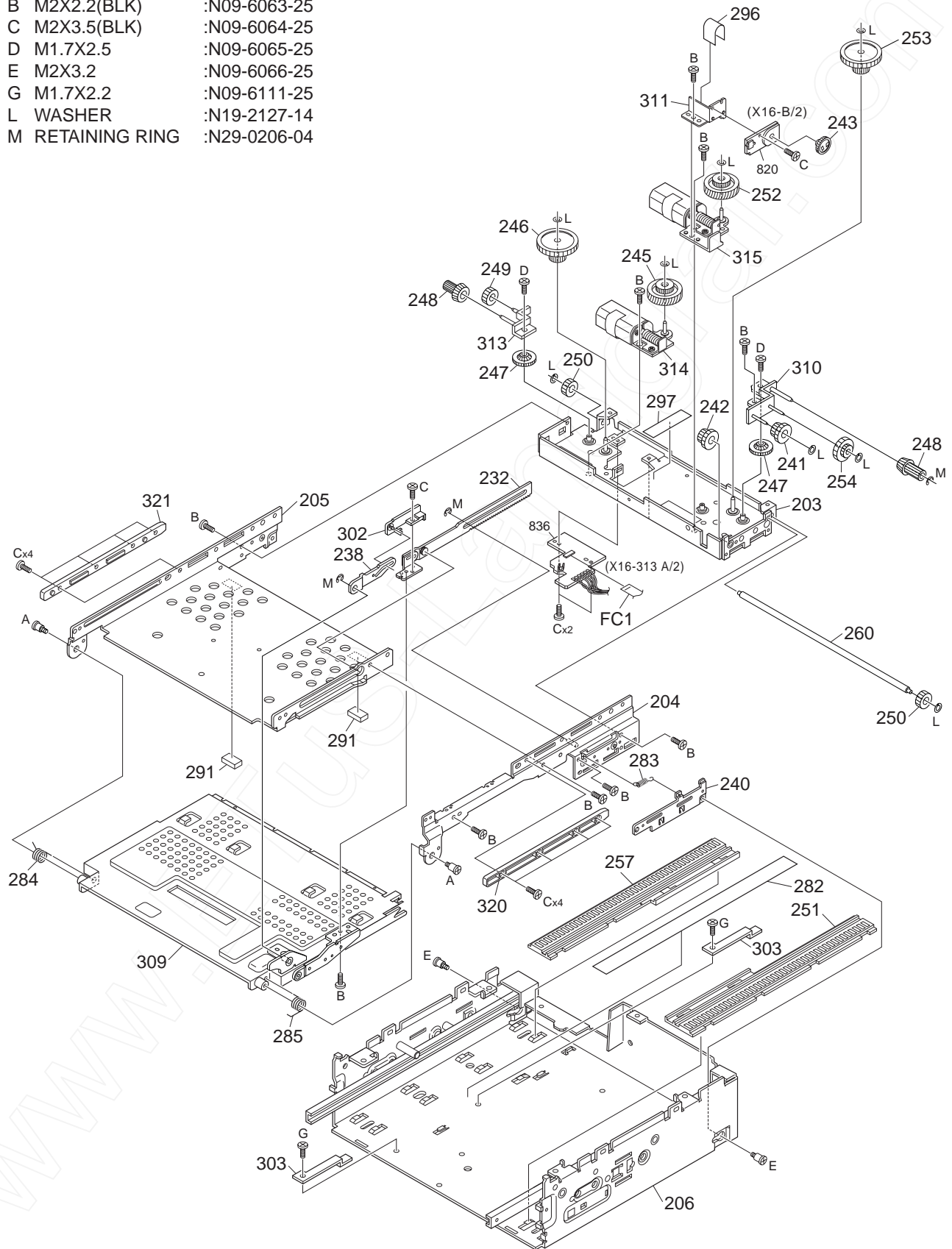


EXPLODED VIEW (DRIVE MECHANISM)

- | | | |
|---|----------------|--------------|
| A | M2.6X3.7 | :N09-6062-15 |
| B | M2X2.2(BLK) | :N09-6063-25 |
| C | M2X3.5(BLK) | :N09-6064-25 |
| D | M1.7X2.5 | :N09-6065-25 |
| E | M2X3.2 | :N09-6066-25 |
| G | M1.7X2.2 | :N09-6111-25 |
| L | WASHER | :N19-2127-14 |
| M | RETAINING RING | :N29-0206-04 |



Parts with the exploded numbers larger than 700 are not supplied.