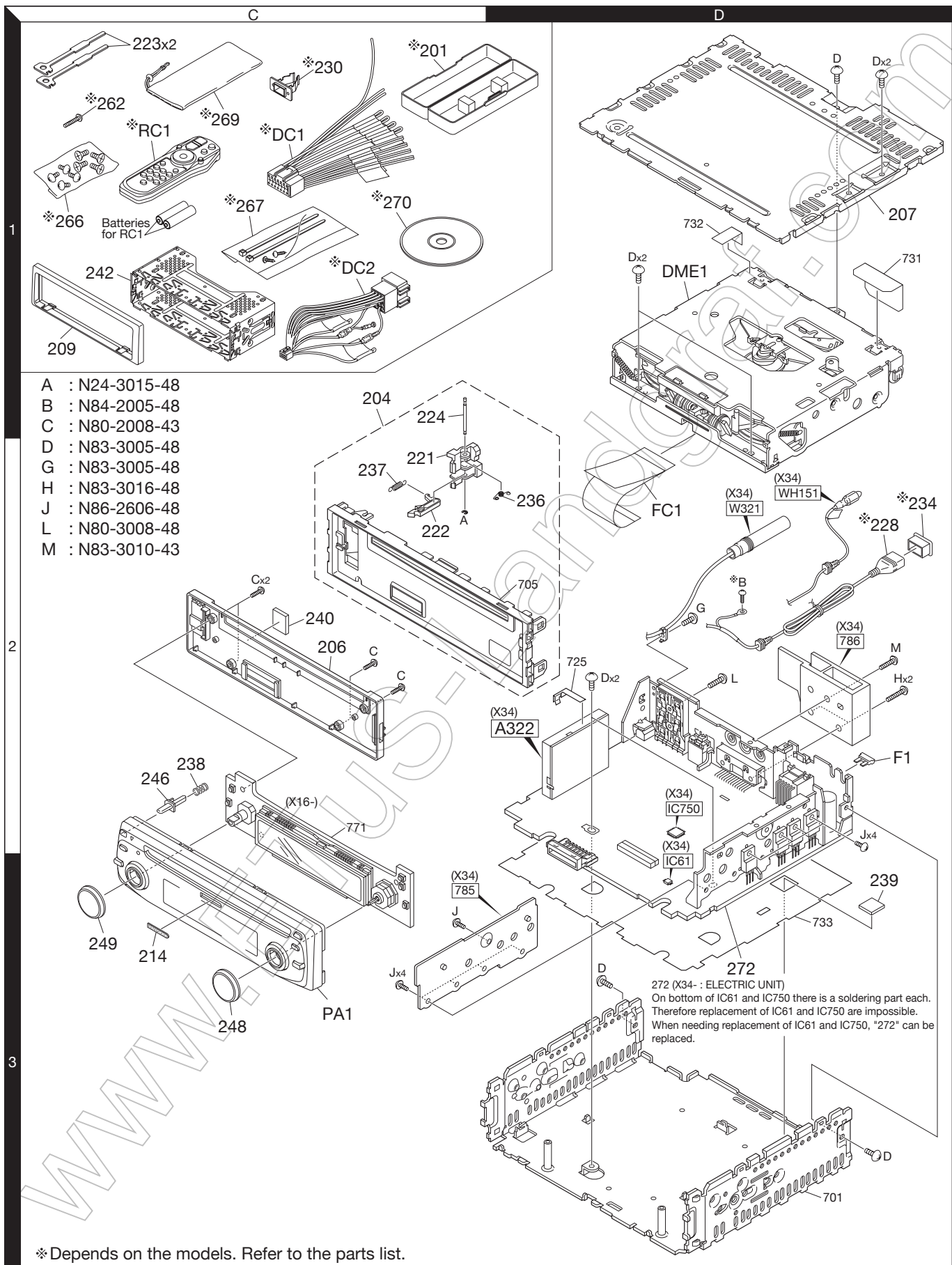


EXPLODED VIEW (UNIT)



- A : N24-3015-48
- B : N84-2005-48
- C : N80-2008-43
- D : N83-3005-48
- G : N83-3005-48
- H : N83-3016-48
- J : N86-2606-48
- L : N80-3008-48
- M : N83-3010-43

272 (X34- : ELECTRIC UNIT)
On bottom of IC61 and IC750 there is a soldering part each.
Therefore replacement of IC61 and IC750 are impossible.
When needing replacement of IC61 and IC750, "272" can be replaced.

* Depends on the models. Refer to the parts list.

Parts with the exploded numbers larger than 700 are not supplied.