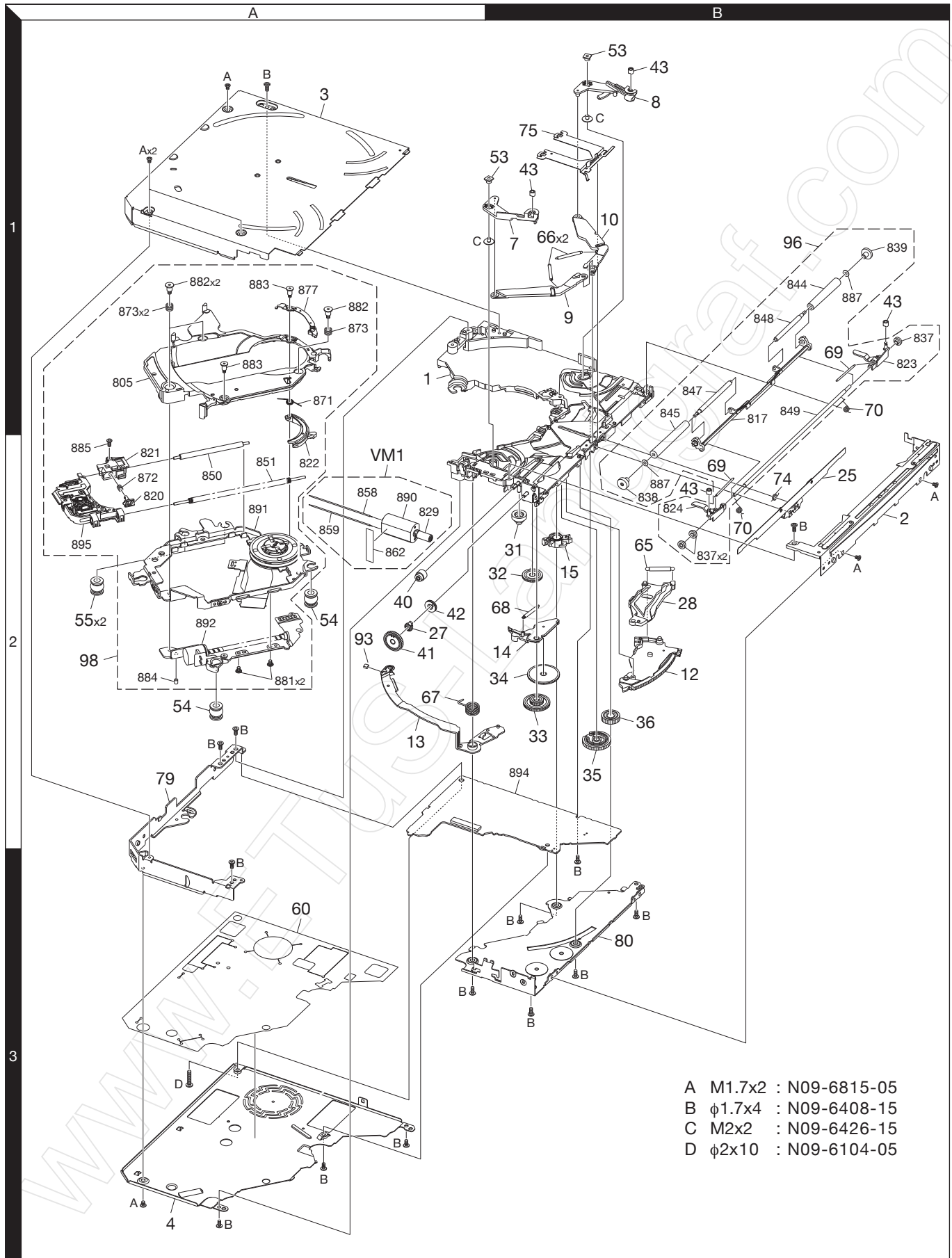


# EXPLODED VIEW (DVD MECHANISM)

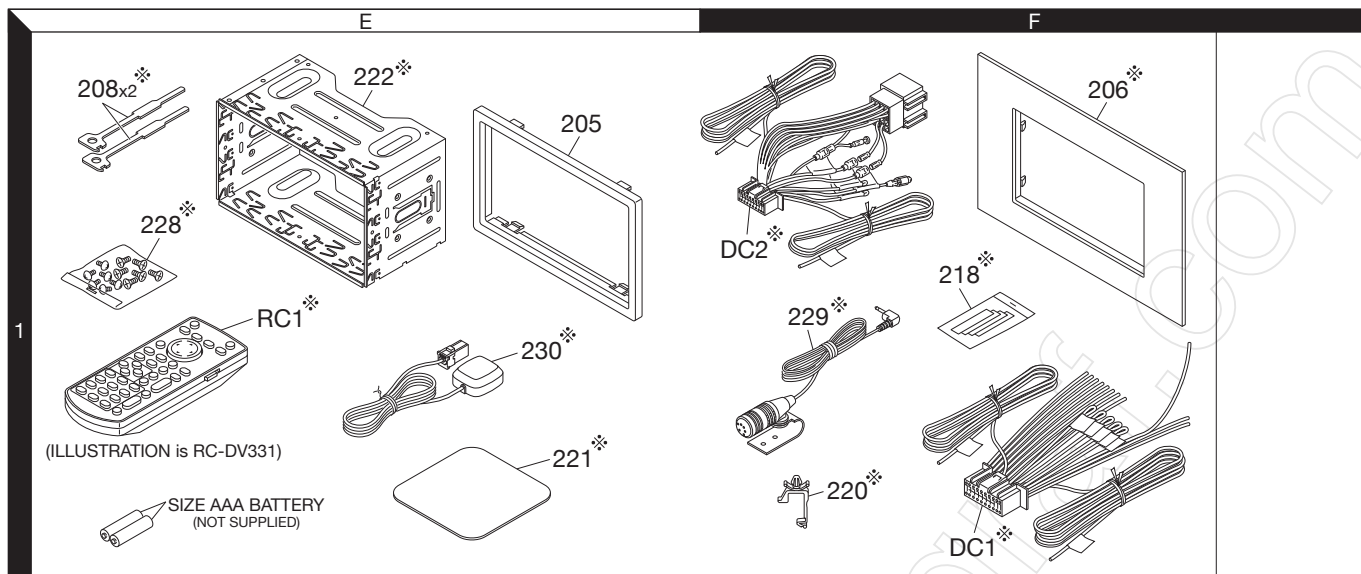


- A M1.7x2 : N09-6815-05
- B  $\phi$ 1.7x4 : N09-6408-15
- C M2x2 : N09-6426-15
- D  $\phi$ 2x10 : N09-6104-05

Parts with the exploded numbers larger than 700 are not supplied.



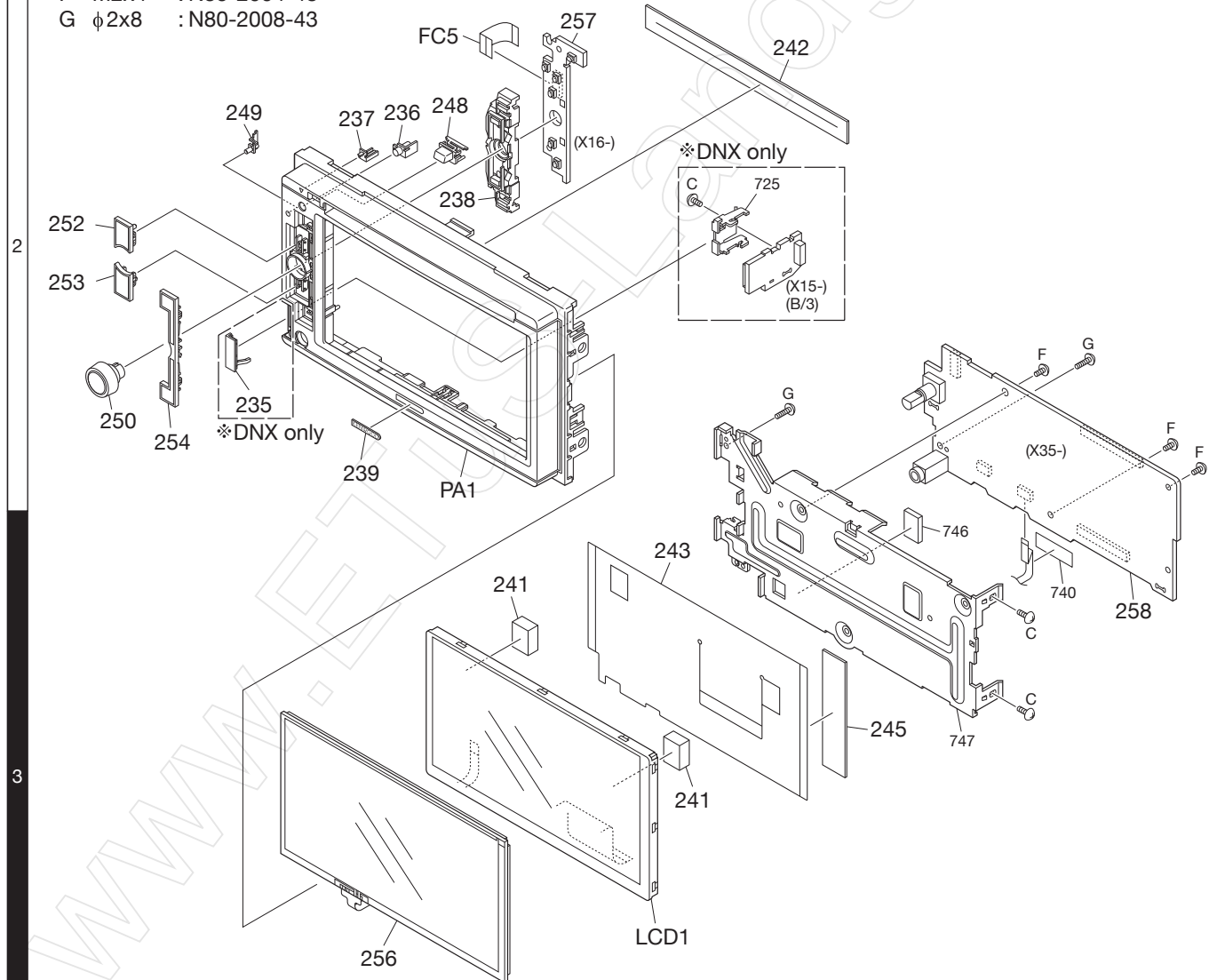
# EXPLODED VIEW (PANEL)



C  $\phi$ 2.6x5 : N86-2605-48

F M2x4 : N35-2004-48

G  $\phi$ 2x8 : N80-2008-43



\*Depends on the models. Refer to the parts list.

Parts with the exploded numbers larger than 700 are not supplied.