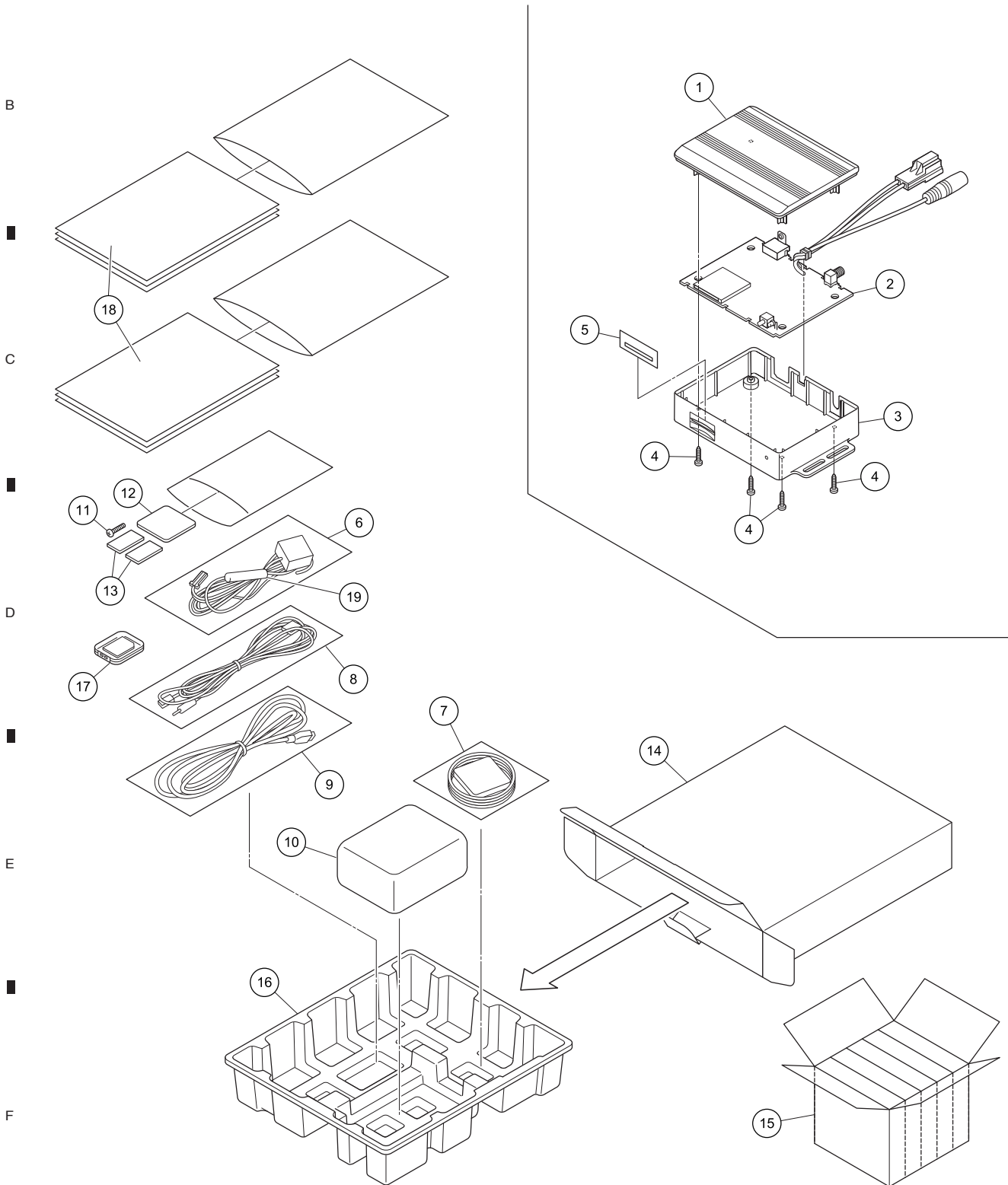


# 9. EXPLODED VIEWS AND PARTS LIST

NOTES : • Parts marked by " \* " are generally unavailable because they are not in our Master Spare Parts List.  
 • The  $\triangle$  mark found on some component parts indicates the importance of the safety factor of the part. Therefore, when replacing, be sure to use parts of identical designation.  
 • Screw adjacent to  $\nabla$  mark on the product are used for disassembly.  
 • For the applying amount of lubricants or glue, follow the instructions in this manual.  
 (In the case of no amount instructions, apply as you think it appropriate.)

## 9.1 PACKING AND EXTERIOR



AVIC-F130/XEEU5