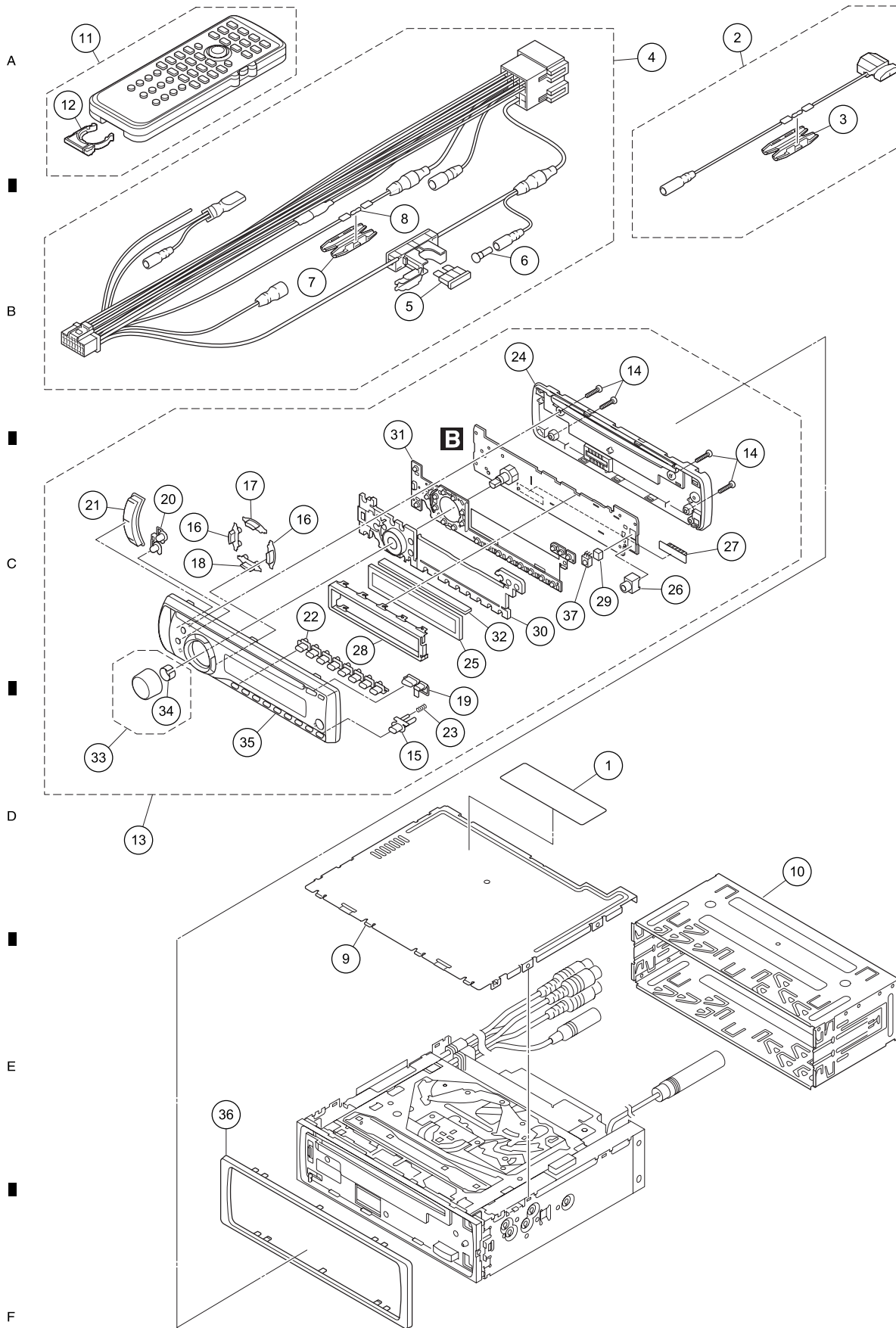


## 9.2 EXTERIOR(1)



DVH-P5900MP/XN/EW5