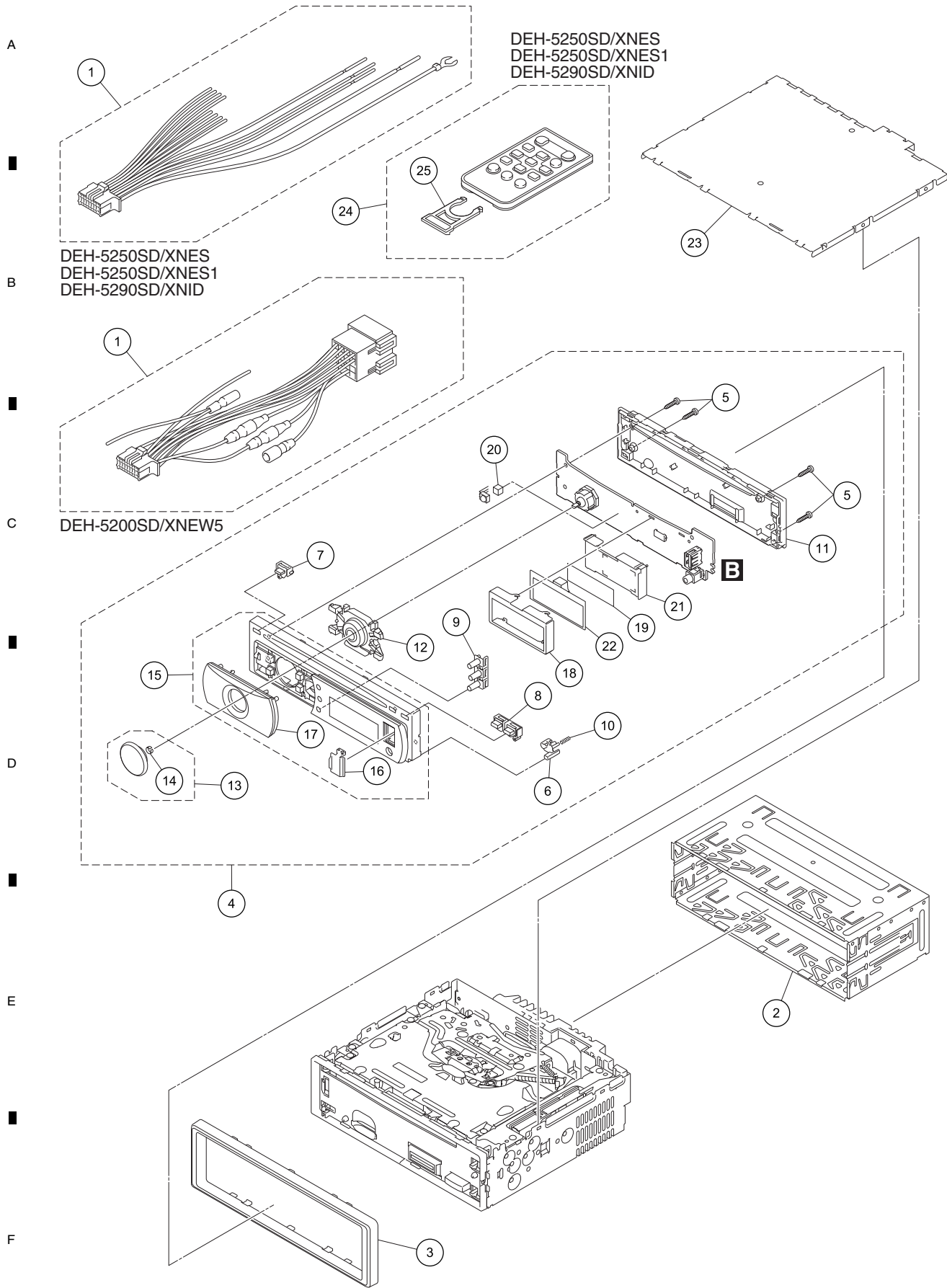


## 9.2 EXTERIOR(1)



DEH-5200SD/XNEW5