

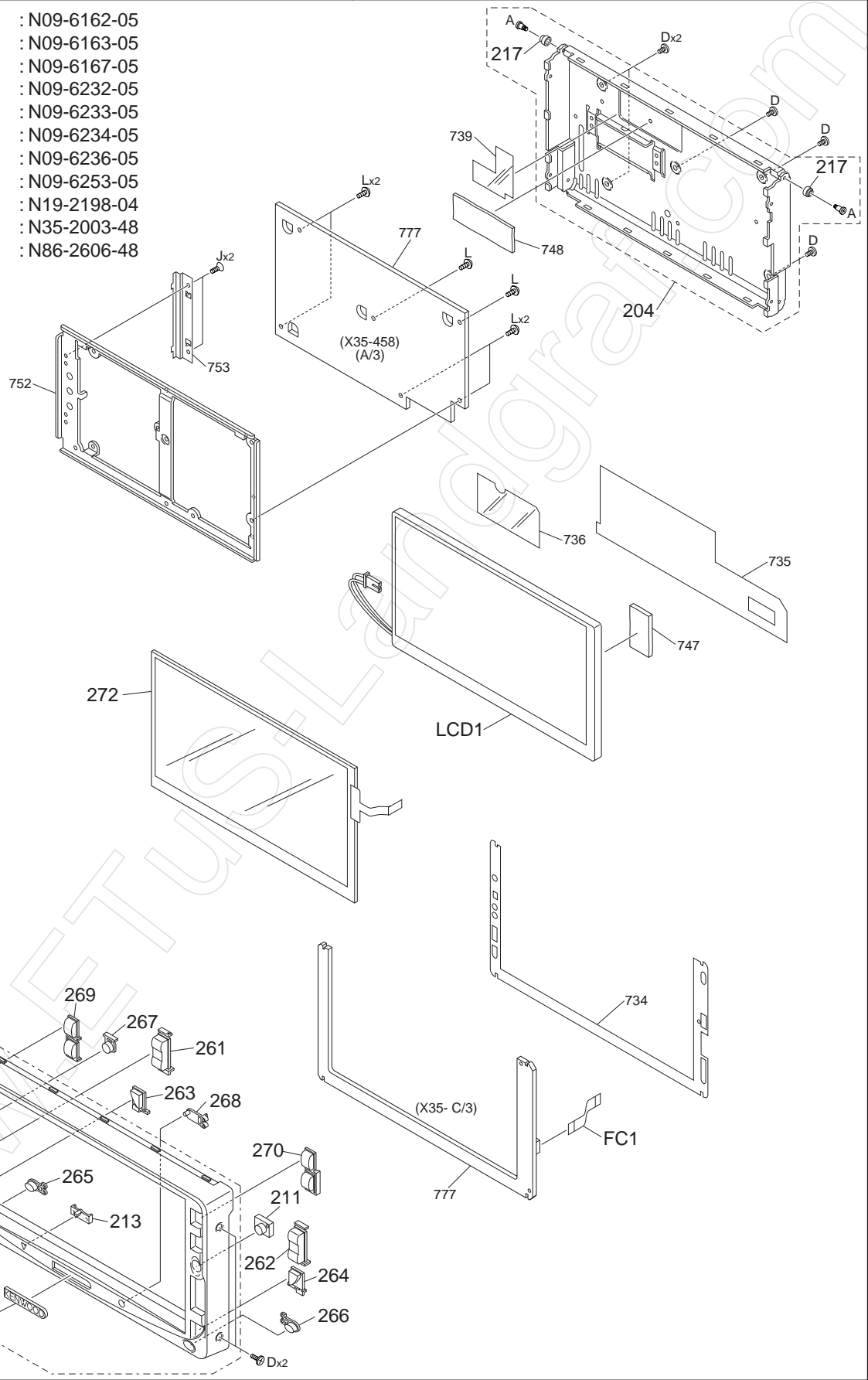
EXPLODED VIEW (PANEL)

- | | | | |
|---|----------|---|-------------|
| A | M2.4x5.2 | : | N09-6162-05 |
| B | M2x5.2 | : | N09-6163-05 |
| C | M2.6x5 | : | N09-6167-05 |
| D | M2.0x3 | : | N09-6232-05 |
| E | M2.6x13 | : | N09-6233-05 |
| F | M2.6x1 | : | N09-6234-05 |
| H | φ2x5 | : | N09-6236-05 |
| J | M2x2 | : | N09-6253-05 |
| K | WASHER | : | N19-2198-04 |
| L | M2x3 | : | N35-2003-48 |
| M | φ2.6x6 | : | N86-2606-48 |

1

2

3



Parts with the exploded numbers larger than 700 are not supplied.