

9.2 EXTERIOR SECTION

1

2

3

4

A

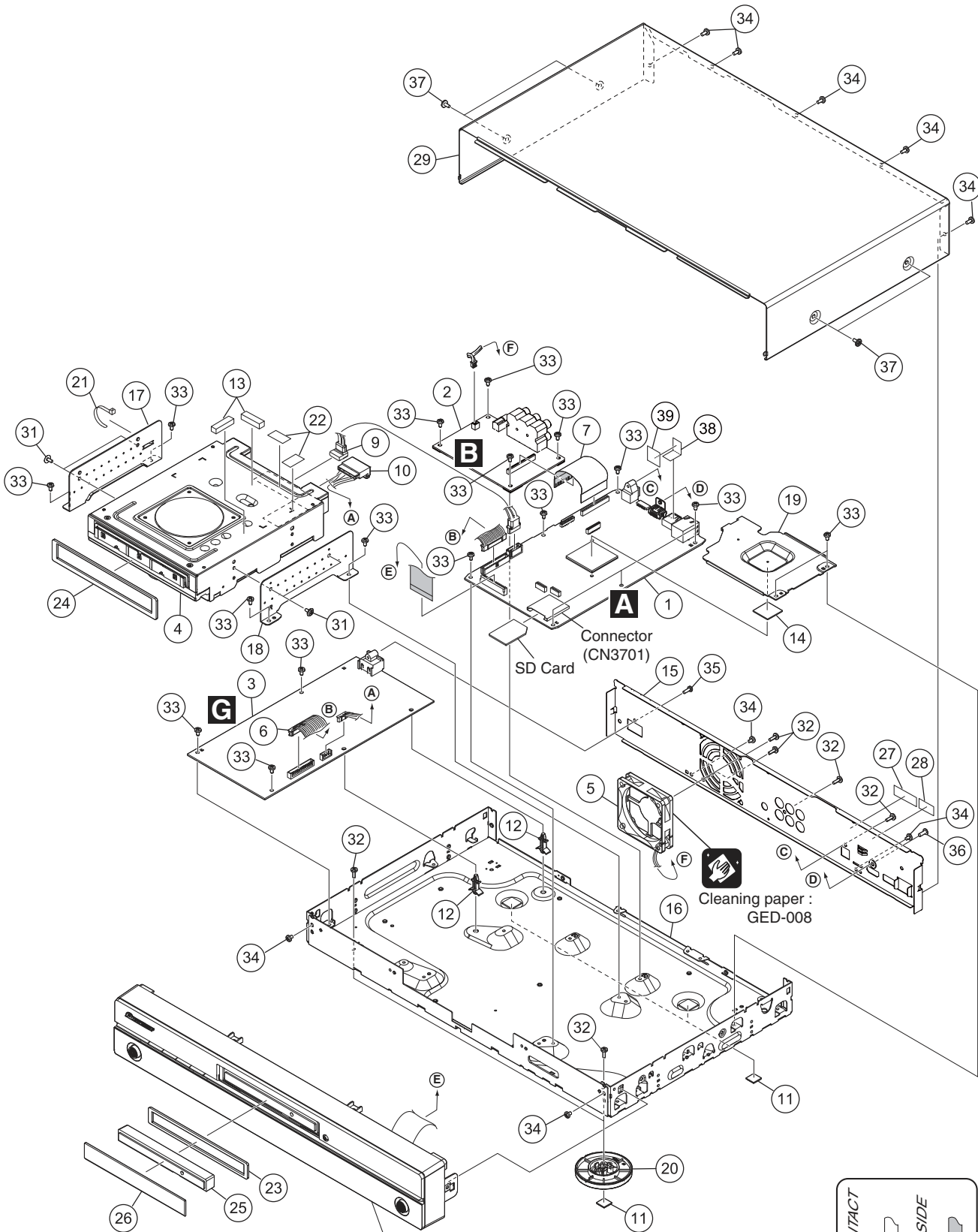
B

C

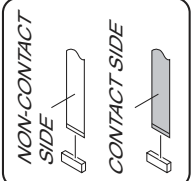
D

E

F



Refer to "9.3 FRONT PANEL SECTION."



1

2

3

4